



# 55000



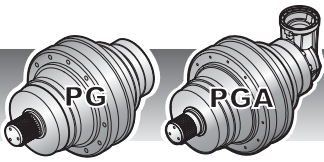
	i	Mc [kNm]				n <sub>1max</sub> [min <sup>-1</sup> ]	Pt [kW]	Kg				
		n <sub>2</sub> x h	n <sub>2</sub> x h	n <sub>2</sub> x h	n <sub>2</sub> x h			M	P	CPC	F	FS
		10.000	20.000	50.000	100.000							
<b>PG 55001</b>	3.84	635.7	572.3	498.2	450.0	100	160	3175	—	—	2850	2907
<b>PG 55002</b>	15.03	635.7	572.3	498.2	450.0	200	110	3972	—	—	3650	3707
	19.00	635.7	572.3	498.2	450.0							
<b>PG 55003</b>	59.42	635.7	572.3	498.2	450.0	1200	93	4166	—	—	3844	3901
	75.00	635.7	572.3	498.2	450.0							
	90.15	635.7	572.3	498.2	450.0							
	96.06	635.7	572.3	498.2	450.0							
<b>PG 55004</b>	113.85	635.7	572.3	498.2	450.0	2000	70	4225	—	—	3903	3960
	211.27	635.7	572.3	498.2	450.0							
	254.66	635.7	572.3	498.2	450.0							
	266.79	635.7	572.3	498.2	450.0							
	332.76	635.7	572.3	498.2	450.0							
	362.67	635.7	572.3	498.2	450.0							
	420.19	635.7	572.3	498.2	450.0							
<b>PG 55005</b>	506.48	635.7	572.3	498.2	450.0	2800	49	4241	—	—	3919	3976
	648.38	635.7	572.3	498.2	450.0							
	798.14	635.7	572.3	498.2	450.0							
	871.50	635.7	572.3	498.2	450.0							
	1050.47	635.7	572.3	498.2	450.0							
	1100.50	635.7	572.3	498.2	450.0							
	1214.84	635.7	572.3	498.2	450.0							
	1483.87	635.7	572.3	498.2	450.0							
	1600.73	635.7	572.3	498.2	450.0							
	1846.29	635.7	572.3	498.2	450.0							
	2082.20	635.7	572.3	498.2	450.0							
	2176.00	635.7	572.3	498.2	450.0							
	2398.76	635.7	572.3	498.2	450.0							
	2629.33	635.7	572.3	498.2	450.0							
	3046.40	635.7	572.3	498.2	450.0							
	3227.51	635.7	572.3	498.2	450.0							
	3722.61	635.7	572.3	498.2	450.0							
3890.31	635.7	572.3	498.2	450.0								
4700.79	635.7	572.3	498.2	450.0								
5571.30	635.7	572.3	498.2	450.0								



	i	Mc [kNm]				n1max [min <sup>-1</sup> ]	Pt [kW]	Kg				
		n <sub>2</sub> x h	n <sub>2</sub> x h	n <sub>2</sub> x h	n <sub>2</sub> x h			M	P	CPC	F	FS
		10.000	20.000	50.000	100.000							
<b>PGA 55004</b>	276.91	635.7	572.3	498.2	450.0	2500	57	4307	—	—	3985	4042
	295.03	635.7	572.3	498.2	450.0							
	349.67	635.7	572.3	498.2	450.0							
	448.27	635.7	572.3	498.2	450.0							
	531.28	635.7	572.3	498.2	450.0							
<b>PGA 55005</b>	648.91	635.7	572.3	498.2	450.0	2500	50	4347	—	—	4025	4082
	782.17	635.7	572.3	498.2	450.0							
	830.72	635.7	572.3	498.2	450.0							
	985.94	635.7	572.3	498.2	450.0							
	1113.90	635.7	572.3	498.2	450.0							
	1245.00	635.7	572.3	498.2	450.0							
	1426.00	635.7	572.3	498.2	450.0							
	1593.83	635.7	572.3	498.2	450.0							
	1869.12	635.7	572.3	498.2	450.0							
	1960.90	635.7	572.3	498.2	450.0							
	2396.17	635.7	572.3	498.2	450.0							
	2839.90	635.7	572.3	498.2	450.0							
	3025.79	635.7	572.3	498.2	450.0							
	3586.13	635.7	572.3	498.2	450.0							



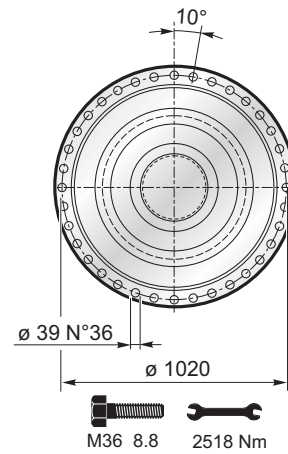
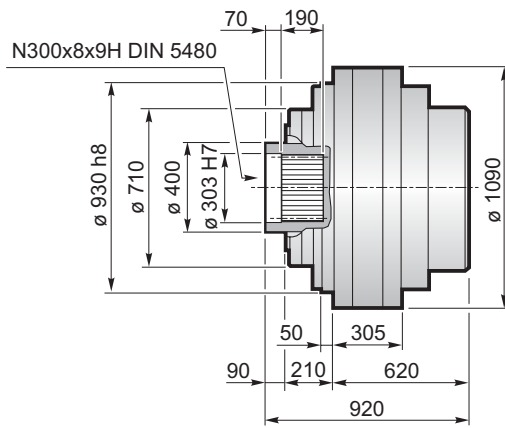
(n<sub>2</sub> x h = 20.000)  
 $M_{max} = M_c \times 1.3$



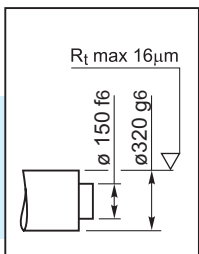
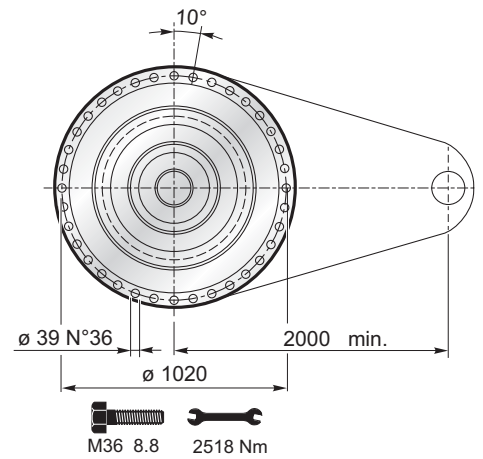
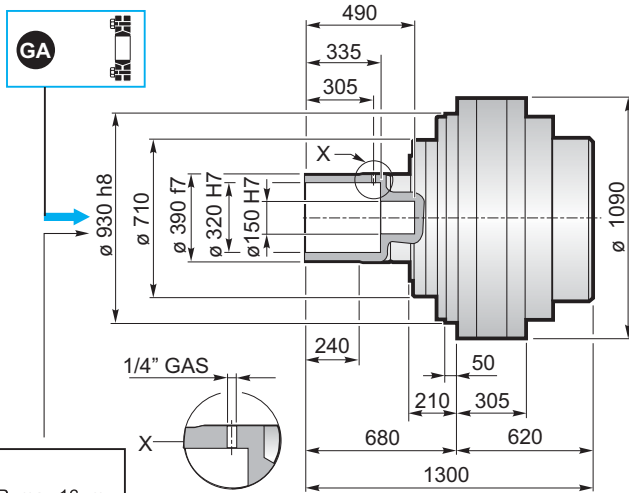
# 55000

IT EN DE FR ES PT

F



FS

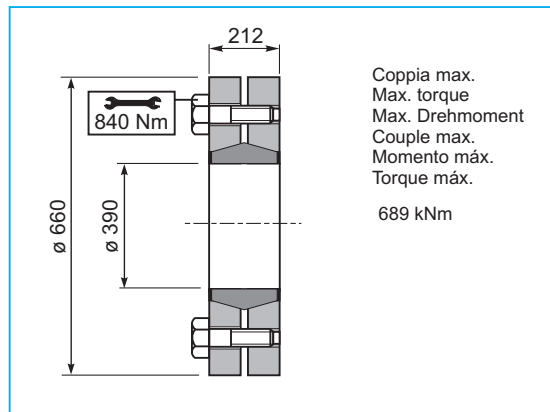


$M_{max} = 814.5 \text{ kNm}$

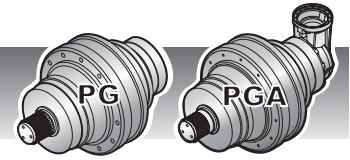
La coppia massima indicata è valida solo con calettatori forniti da Planetary Drives  
 The maximum torque indicated is valid only with shrink discs supplied by Planetary Drives  
 Das dargestellte, maximale Drehmoment gilt nur mit von Planetary Drives gelieferter Schrumpfscheibe  
 Le couple maximal indiqué n'est valable qu'avec les frettes de serrage fournis par Planetary Drives  
 El momento máximo indicado sólo es válido con discos de contracción suministrados por Planetary Drives  
 O torque máximo indicado é válido exclusivamente com discos de contração fornecidos pela Planetary Drives

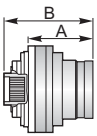
GA

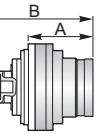
Giunto di attrito / Shrink disc  
 Schrumpfscheibe / Frette de serrage  
 Disco de contracción / Disco de contração



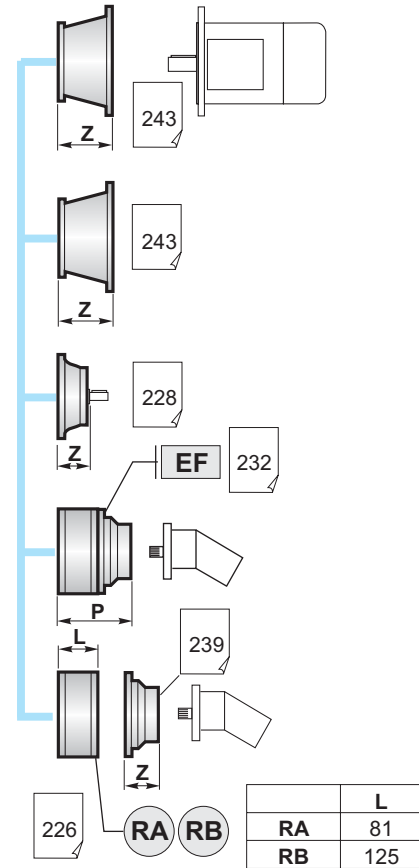
Coppia max.  
 Max. torque  
 Max. Drehmoment  
 Couple max.  
 Momento máx.  
 Torque máx.  
 689 kNm

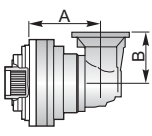


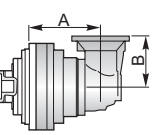
	PG ...F						
	A	B	RA	RB	EF	EDF	
PG 55002	903.5	1203.5					
PG 55003	1124.5	1424.5					
PG 55004	1231.5	1531.5		•			
PG 55005	1303	1603	•	o	•		

	PG ...FS						
	A	B	RA	RB	EF	EDF	
PG 55002	903.5	1583.5					
PG 55003	1124.5	1804.5					
PG 55004	1231.5	1911.5		•			
PG 55005	1303	1983	•	o	•		

⚠	A	B	•
	A+13.5	B+13.5	o



	PGA ...F					
	A	B	RA	RB	EF	
PGA 55004	1305.5	315		•		
PGA 55005	1366.5	315		•		

	PGA ...FS					
	A	B	RA	RB	EF	
PGA 55004	1305.5	315		•		
PGA 55005	1366.5	315		•		

